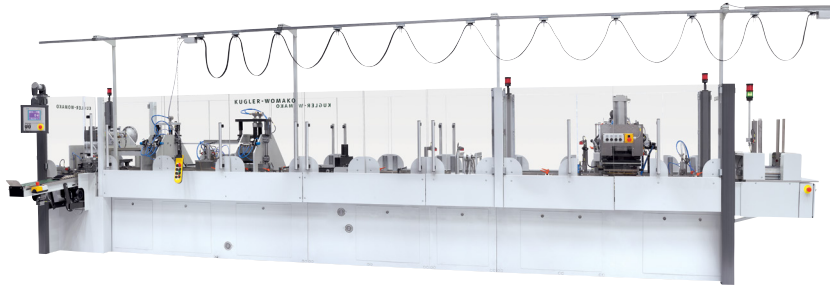


PassPort 3



PassPort Machine for Gold Foil Embossing, Folding and Die-cutting

Features

- Suitable for (electronic) Machine Readable Travel Document (eMRTD) according to ISO and ICAO standards
- High productivity and reliable production in terms of quality and output
- Sophisticated technology for easy operation and maintenance
- Rigid design for increased life expectancy (>30 years)
- Modular layout in order to accommodate various types of passports and future upgrades

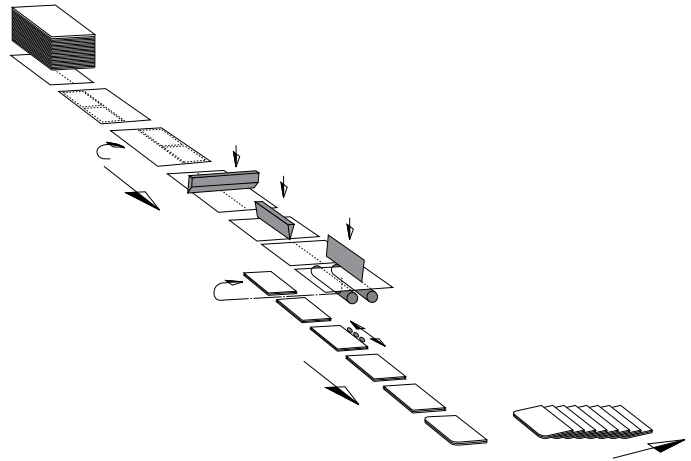


PassPort 3

The layers which have been sewn and laminated in PassPort 1 and 2 are separated into single ups, folded and cut to size in a die cutting station using the PassPort 3 machine. The passport covers can be gold embossed. All styles of passports and e-passports can be manufactured by combining PassPort 3 with our PassPort 1, 2 and 4 machines.

Passport 3 basic equipment

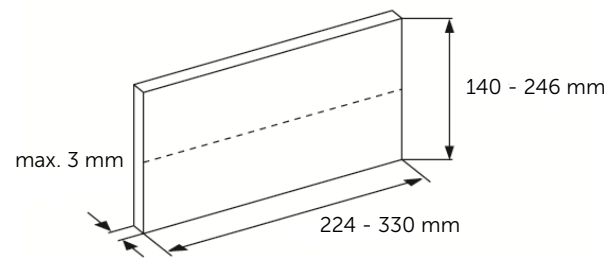
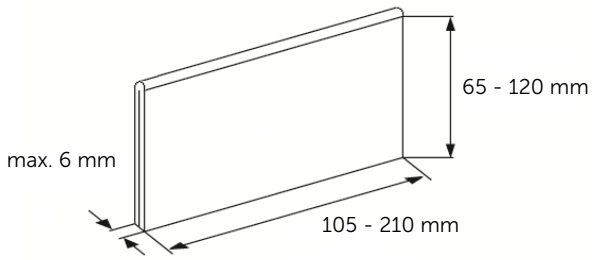
- Feeding of sewn and laminated layers
- Separating cut into single ups
- Creasing station with optional heating
- Folding
- Spine pressing station with optional heating
- Die-cutting
- Delivery

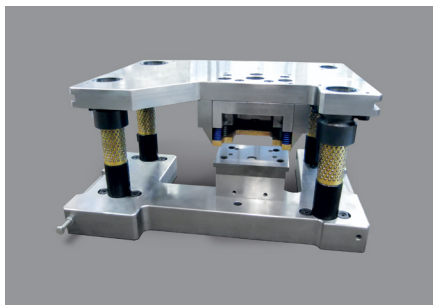


Add-on options

- Gold embossing with turning of the passport
- Quality control of gold embossing by camera with automatic rejections
- Chip verification with fully automated rejection of defect chips without interrupting of production
- Registration of chip-UIDs used and other tracking features
- Vertical book delivery, magazine outfeed

Technical data

	PassPort 3	
Cycles/min	Max. 50 Booklets	
Size range	 Layers	 Booklets



Cutting



Gold embossing



Folding

World market leader for over 50 years