

Pre-Owned, As-Is, Where-Is Model I Splicer

Pre-Owned

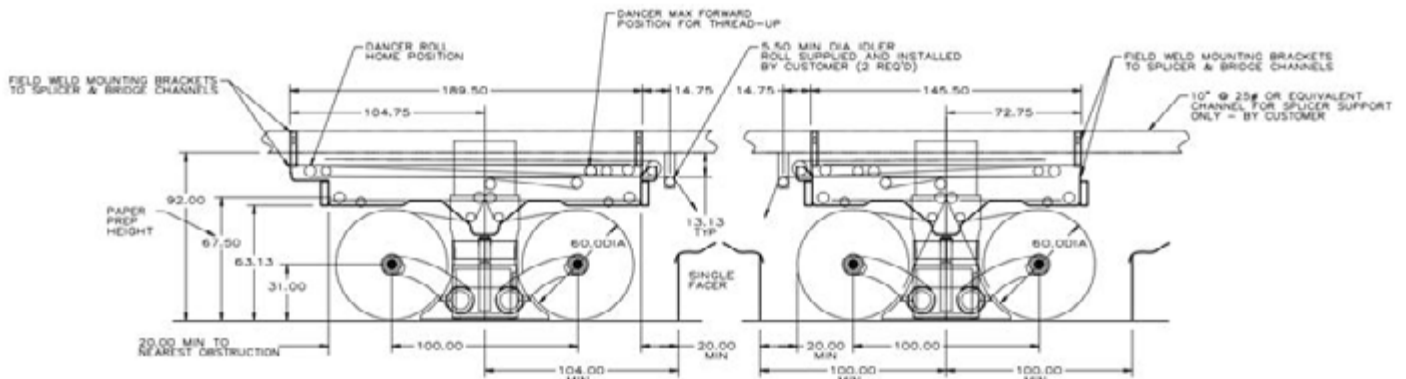
Marquip Model I Splicer

- 2200 mm (87 in) Maximum paper width
- 150 - 230 MPM (500 - 900 FPM) Speed
- Automatic tension control system
- (Single and Double) Dancer system
- Prints and Manuals included
- Warranty not included
- Customer visit and inspection required
- Available September 2017
- 5 units available

Contact your MarquipWardUnited Aftermarket Sales Team for more information at (715) 339-2191.



https://youtu.be/i_LP7Q514MY



VortX for starch and mixing kitchens